

DV-SIHV(LIR3611Z)

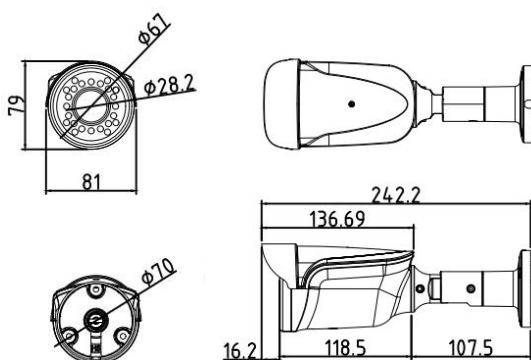
12M SHD 네트워크 IR 볼렛 카메라



A. 제품특성

- 1/1.7" Sony Starvis 12.76Mega Pixels Image Sensor
- 고해상도 4000X3000p 30fps 지원
- 3.6~11mm, 가변초점렌즈
- D-WDR, AGC, 3DNR, BLC
- IP66 방진방수 등급
- PoE(Power Over Ethernet) 지원
- Triple Streams 지원
- 저조도 야간칼라
- Onvif 지원

B. 외관도



C. 제품 사양

Camera	
Sensor	1/1.7" Sony Starvis 12.76Mega Pixels Image Sensor
Total Pixels	4168(H)x3062(V), 12.76 Mega Pixels
Effective Pixels	4072(H)x3046(V), 12.40 Mega Pixels
Lens(Focal Length)	3.6~11 mm (3x optical zoom)
FOV	H : 86°(wide)~31°(tele) V : 64°(wide)~23°(tele)
Iris	Auto, F1.2 ~ F2.1
Minimum Illumination	Color : 0.001 lux(Color), B/W : 0 lux (IR LED on)
Shutter	1/30 ~ 1/30000 sec.
S/N	>50dB
Day / Night	Auto(ICR), Day, Night, Manual

Video	
Video Compression	H.265, H.264, MJPEG
Resolution	4000x3000/3000x3000/3840x2160/2560x1920/2048x1536/1600x1200/1920x1080/1280x1024/1280x960/640x480/640x360/320x240/320x180
Max. Frame Rate	30fps @ all resolution
Video Streaming	Triple
OSD	Support
Motion Detector	432 Zone (On/Off, 1~5 Step)
Privacy Area	8 Programmable Zones, On / Off
Noise Reduction	Off, 3DNR
Backlight Compensation	Off, D-WDR, BLC
White Balance	Auto, Indoor, Outdoor, Fluorescent
Lens Distortion Correction	Support
Defog	On, Off

Audio	
Compress Format	G.711 u-law
Two-way Talking	Support
AGC	Support

Storage	
Edge Storage(OPTION)	Micro SD, up to 32 GB

Built-in Illuminator	
Working Distance	Up to 40m
Number of LEDs	42 IR LEDs

Network	
Protocols	TCP/IP, UDP/IP, RTP, RTSP, RTCP, NTP, HTTP, DHCP, FTP, SMTP, DNS, DDNS
Compatible Integration	ONVIF

Interface	
Audio I/O	1 Line-in / 1 Line-out
Network	RJ45, 10M/100M Base-TX Ethernet

General	
Power Supply	DC 12V / PoE Power consumption: 750mA
Dimensions (Ø x H)	Ø81 x 242.2 mm
Weight	Approx. 800g
Working Environment	-10°C ~ +50°C (14°F ~ 122°F), Humidity ≤ 90% RH(non-condensing)