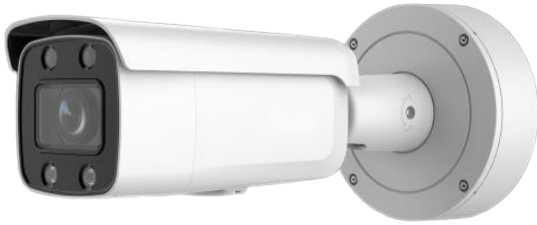


# DV-QIHB(LIR3609Z)

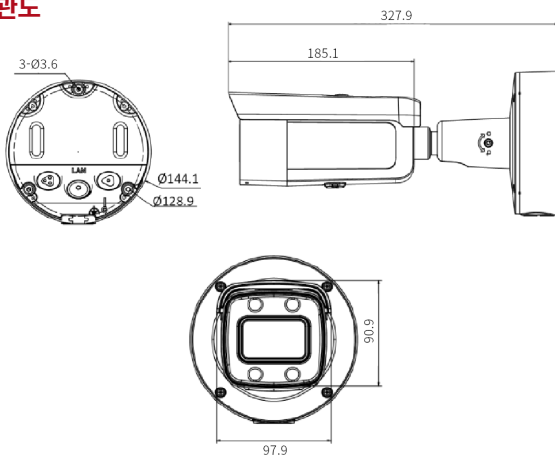
4M QHD 네트워크 IR 볼렛 카메라



## A. 제품특성

- 1/1.8" Progressive Scan CMOS
- 고해상도 2688x1520p 30fps 지원
- 3.6~9mm, 가변초점렌즈, **F1.0 렌즈**
- 야간 칼라에 특화(백라이트에 대한 선명한 영상화)
- BLC, HLC, 3D DNR
- IP67 방진방수 등급
- PoE(Power Over Ethernet) 지원
- Triple Streams 지원
- Onvif 지원

## B. 외관도



## C. 제품 사양

| Camera               |  |
|----------------------|--|
| Sensor               | 1/1.8" Progressive Scan CMOS                           |
| Total Pixels         | 2688(H)x1520(V), 4 Mega Pixels                         |
| Effective Pixels     | 2688(H)x1520(V), 4 Mega Pixels                         |
| Lens(Focal Length)   | 3.6mm ~ 9mm (Varifocal lens, motorized lens)           |
| FOV                  | H : 92.3°(wide)~48°(tele)<br>V : 48.4°(wide)~27°(tele) |
| Iris                 | F1.0, Fixed  |
| Minimum Illumination | Color : 0.0005 lux(Color), B/W : 0 lux (IR LED on)     |
| Shutter              | 1/30 ~ 1/100,000 sec.                                  |
| S/N                  | >52dB  |
| Day / Night          | Auto, Schedule   |

| Video             |  |
|-------------------|--|
| Video Compression | H.265, H.264, MJPEG                      |
| Max. Resolution   | 2688 × 1520                              |
| Max. Frame Rate   | 30fps @ all resolution                   |
| Video Streaming   | Triple                                   |
| Motion detection  | human and vehicle targets classification |
| Image Enhancement | BLC, HLC, 3D DNR                         |

| Audio                       |  |
|-----------------------------|--|
| Audio Compression           | G.711ulaw/G.711alaw/G.722.1/G.726/MP2L2/PCM/MP3/AAC  |
| Audio Bit Rate              | 64 Kbps (G.711ulaw/G.711alaw)/16 Kbps (G.722.1)/16 Kbps (G.726)/32 to 192 Kbps (MP2L2)/8 to 320 Kbps (MP3)/16 to 64 Kbps (AAC) |
| Audio Sampling Rate         | 8 kHz/16 kHz/32 kHz/44.1 kHz/48 kHz  |
| Environment Noise Filtering | Support  |

| Built-in Illuminator |           |
|----------------------|-----------|
| Working Distance     | Up to 60m |
| Number of LEDs       | 4 IR LEDs |

| Network                |   |
|------------------------|---|
| Protocols              | TCP/IP, ICMP, HTTP, HTTPS, FTP, DHCP, DNS, DDNS, RTP, RTSP, NTP, UPnP, SMTP, IGMP, 802.1X, QoS, IPv4, IPv6, UDP, Bonjour, SSL/TLS, PPPoE, SNMP, ARP |
| Compatible Integration | ONVIF   |

| Interface |   |
|-----------|---|
| Audio I/O | 1 Line-in / 1 Line-out                        |
| Network   | 1 RJ45 10 M/100 M self-adaptive Ethernet port |

| General             |   |
|---------------------|---|
| Power Supply        | 12 VDC, 1.21 A, max. 14.5 W<br>PoE (802.3at, 42.5 V to 57 V), 0.43 A to 0.32 A, max. 18 W |
| Dimensions (Ø x H)  | 327.9 mm × 97.9 mm × 90.9 mm  |
| Weight              | Approx.1520g  |
| Working Environment | -30 °C to 60 °C (-22 °F to 140 °F).<br>Humidity 95% or less (non-condensing)              |