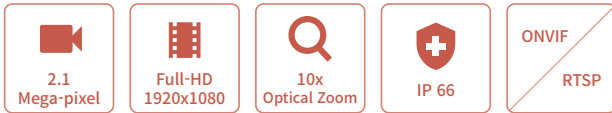


DV-IHI(IR0550Z)

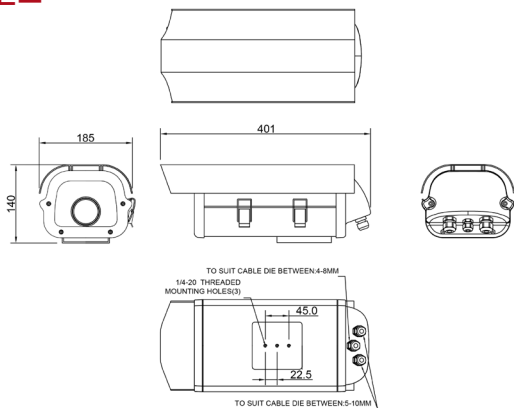
차량번호 인식용 네트워크 카메라



A. 제품특성

- 1/3" Panasonic CMOS Image Sensor
- 차번인식거리 : 20m (일반감시 120m 0.0Lux)
- 적외선 투광 각도 : 25 °
- 셔터스피드 : 1/1000sec (차량속도 120km까지 인식)
- 소비전력 : 30W 이하
- 적외선 파장 : 740nm
- 렌즈사양 : 10배(5.1~51mm) AF 전동줌 렌즈

B. 외관도



C. 제품 사양

Camera

Sensor	1/3" Panasonic CMOS Image Sensor
Total Pixels	2,120K Pixel
Lens(Focal Length)	5.1 ~ 51 mm (10x optical zoom)
FOV	H : 50.9 ° (wide)-7.6 ° (tele) V : 27.8 ° (wide)-4.3 ° (tele)
Minimum Illumination	0.125 Lux @ Color, 0.025 Lux @ B/W
S/N	>50dB
Day & Night	Auto / Day / Night(ICR)
Lens Control	Auto / Manual / One-Push

Built-in Illuminator

Lens Type	Number of LEDs
IR Angle	25 °
Number of LEDs	8 IR LEDs
Light emitting band	740nm
Working Distance	120M
License Plate Identification	20M (Shutter Speed 1/1000s, Vehicle speed Up to 120Km)

Audio

Compress Format	G.711 u-law
Two-way Talking	Support
Audio I/O	Mono Jack, Line In / Out
Memory	Micro SD
Serial Port	RS-485/Pelco-D

Video

Video Compression	H.265, H.264, MJPEG
Resolution	1920×1080/1280×1024/1280×960/1280×720/ 1024×768/640×480/320×240
Max. Frame Rate	30fps @ All Resolutions
Video Streaming	Triple

Network

Protocols	TCP/IP,UDP/IP,RTP,RTSP,RTCP,HTTP,DHCP,FTP,SMTP,DNS,DDNS
Compatible Integration	ONVIF
User	Max. 10 Users
interface	RJ45, 10M/100M Base-T

General

Power Supply	DC 12V/3A (Max. 30W with IR On)
Dimensions (Ø x H)	185mm(W) x 140mm(H) x 401mm(D)
Weight	Approx. 3000g
동작온도	-30°C~60°C