

# DV-IHE(IR2812Z)-G

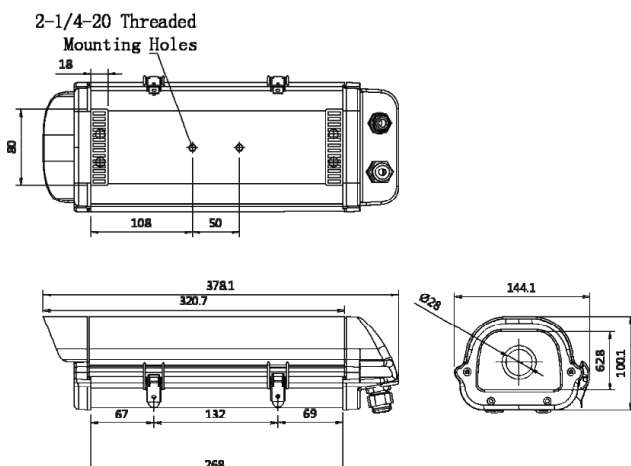
GPS NTP 서버가 탑재된 Full-HD 네트워크 IR 카메라



## 제품특성

- 1/2.8" Progressive CMOS Sensor
- 고해상도 1080p 30fps 지원
- 2.8~12mm, 4.2x AF Optical Zoom Lens
- D-WDR, AGC, 3DNR, BLC
- IP66, 방진방수 등급
- PoE(Power Over Ethernet) 지원
- 양방향 오디오 지원
- GPS를 이용한 시간동기화, NTP 서버 기능
- 팬/히터 내장(옵션)

## 외관도



## 제품사양

항목	DV-IHE(IR2812Z)-G
<b>Camera</b>	
Sensor	1/2.8", 2Megapixel, Starvis SONY progressive scan, CMOS
Total Pixels	1945(H)x1109(V), 2.16 Mega Pixels
Effective Pixels	1945(H)x1097(V), 2.13 Mega Pixels
Lens	2.8 ~ 12 mm (4.2x optical zoom)
FOV	109.4° (wide)~ 37.8° (tele)
Iris	Auto, F1.2~F2.1
Shutter	1/30 ~ 1/30000 sec.
Minimum Illumination	0.02 lux(Color), 0 lux(BW, IR on)
S/N	>50dB
Day/Night	Auto(ICR), Day, Night, Manual
<b>Video</b>	
Video Compression	H.264,MJPEG,H.265
Resolution	1920x1080/1280x720/1024x768/704x576/704x480/640x480
Frame Rate	1~30 fps, 1920x1080 Max. 30fps
Video Streaming	Triple
OSD	Support
Motion Detector	432 Zone (On/Off, 1~5 Step)
Privacy Mask	10 Zone
Noise Reduction	Off, 3DNR
Backlight Compensation	Off, D-WDR, BLC
White Balance	Auto, Indoor, Outdoor, Fluorescent
Lens Distortion Correction	Support
Defog	On, Off
<b>Built-in Illuminator</b>	
Working Distance	Up to 50 m
Number of LEDs	4 Hi Power LED
<b>Audio</b>	
Audio Compression	G.711 u-law
Two-way Talking	Support
AGC	Support
<b>Storage</b>	
Edge Storage(OPTION)	Micro SD, up to 32 GB
<b>Network</b>	
Protocols	TCP/IP, UDP/IP, RTP, RTSP, RTCP, NTP, HTTP, DHCP, FTP, SMTP, DNS, DDNS
Compatible Integration	ONVIF
<b>Interface</b>	
Audio I/O	1 Line-in / 1 Line-out
Alarm I/O	1 Input / 1 Output
Network	RJ45, 10M/100M Base-TX Ethernet
<b>General</b>	
Power Supply	DC 12V / PoE
	Power consumption: 750mA
Dimensions (W x H x D)	144 x 100 x 378 mm
Weight	1100g
Working Environment	-10°C ~ +50°C (14°F ~ 122°F), Humidity ≤ 90% RH(non-condensing)
Ingress Protection	IP66