

DV-QIHE(IR2812Z)-G

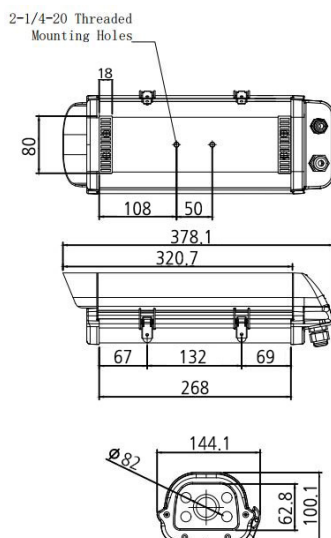
GPS NTP 서버가 탑재된 5M-QHD 네트워크 IR 카메라



제품특성

- 1/2.8" Sony Starvis 5.69Mega Pixels Image Sensor
- 고해상도 2560X1920p 30fps 지원
- 2.8~12mm, 가변초점렌즈
- D-WDR, AGC, 3DNR, BLC
- IP66 방진방수 등급
- PoE(Power Over Ethernet) 지원
- 양방향 오디오 지원
- GPS를 이용한 시간동기화, NTP 서버 기능
- 팬/히터 내장(옵션)

외관도



제품사양

항목	DV-QIHE(IR2812Z)-G
Camera	
Sensor	1/2.8" Sony Starvis 5.69Mega Pixels Image Sensor
Total Pixels	2704(H)x2104(V), 5.69 Mega Pixels
Effective Pixels	2616(H)x1964(V), 5.14 Mega Pixels
Lens	2.8 ~ 12 mm (4.2x optical zoom)
FOV	109.4° (wide)~ 37.8° (tele)
Iris	Auto, F1.2~F2.1
Shutter	1/30 ~ 1/30000 sec.
Minimum Illumination	0.02 lux(Color), 0 lux(BW, Ir on)
S/N	>50dB
Day/Night	Auto(ICR), Day, Night, Manual
Video	
Video Compression	H.264, H265, MJPEG
Resolution	2560x1920/2560x1600/2560x1440/2048x1536/1600x1200/1920x1080/1280x1024/1280x960/1280x720/1024x768/854x480/640x480/640x360/320x240
Frame Rate	30fps @ all resolution
Video Streaming	Triple
OSD	Support
Motion Detector	432 Zone (On/Off, 1~5 Step)
Privacy Mask	10 Zone
Noise Reduction	Off, 3DNR
Backlight Compensation	Off, D-WDR, BLC
White Balance	Auto, Indoor, Outdoor, Fluorescent
Lens Distortion Correction	Support
Defog	On, Off
Built-in Illuminator	
Working Distance	UP to 50m
Number of LEDs	4 Hi Power LED
Audio	
Audio Compression	G.711 u-law
Two-way Talking	Two-way
AGC	Support
Storage	
Edge Storage(OPTION)	Micro SD, up to 32 GB
Network	
Protocols	TCP/IP, UDP/IP, RTP, RTSP, RTCP, NTP, HTTP, DHCP, FTP, SMTP, DNS, DDNS
Compatible Integration	ONVIF
Interface	
Audio I/O	1 Line-in / 1 Line-out
Alarm I/O	1 Input / 1 Output
Network	RJ45, 10M/100M Base-TX Ethernet
General	
Power Supply	DC 12V / PoE Power consumption: 750mA
Dimensions (W x H x D)	144 x 100 x 378 mm
Weight	1100g
Working Environment	-10°C ~ +50°C (14°F ~ 122°F), Humidity ≤ 90% RH(non-condensing)